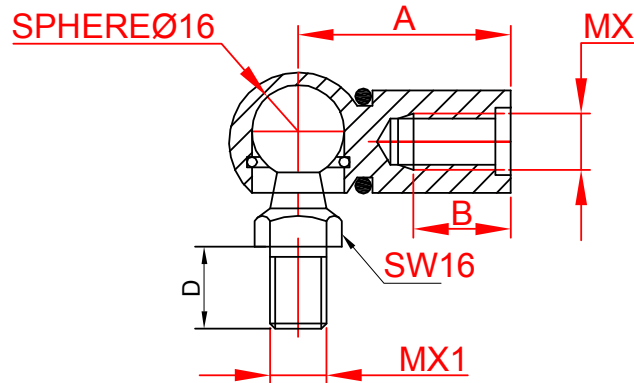


SPRINFORS Шарниры угловые с зажимом (оцинкованная сталь)



Ref. No	Размеры (mm)				
	A	B	MX	D	MX1
K501	20	9	M10x1.5	10	M10x1.5
K502	20	9	M10x1.5	15	M10x1.5
K503	20	9	M10x1.5	20	M10x1.5
K504	22	11	M10x1.5	10	M10x1.5
K505	22	11	M10x1.5	15	M10x1.5
K506	22	11	M10x1.5	20	M10x1.5
K507	24	12	M10x1.5	10	M10x1.5
K508	24	12	M10x1.5	15	M10x1.5
K509	24	12	M10x1.5	20	M10x1.5
K510	26	14	M10x1.5	10	M10x1.5
K511	26	14	M10x1.5	15	M10x1.5
K512	26	14	M10x1.5	20	M10x1.5

Ref. No	(mm)				
	A	B	MX	D	MX1
K513	28	14	M10x1.5	10	M10x1.5
K514	28	14	M10x1.5	15	M10x1.5
K515	28	14	M10x1.5	20	M10x1.5
K516	30	14	M10x1.5	10	M10x1.5
K517	30	14	M10x1.5	15	M10x1.5
K518	30	14	M10x1.5	20	M10x1.5
K519	32	16	M10x1.5	10	M10x1.5
K520	32	16	M10x1.5	15	M10x1.5
K521	32	16	M10x1.5	20	M10x1.5
K522	35	16	M10x1.5	10	M10x1.5
K523	35	16	M10x1.5	15	M10x1.5
K524	35	16	M10x1.5	20	M10x1.5

SURFACE PROTECTION: Zinc plated and white, black or yellow passivated (Standard application)